

Quick Start Guide

Fronius Smart Meter TS 100A-1



[manuals.fronius.com/
html/4204260350](https://manuals.fronius.com/html/4204260350)

**OPERATING
INSTRUCTION**



Technical Data - General	
Nominal voltage (one-phase) / Operating range	230 V / 161 - 276 V
Nominal frequency / Tolerance	50 - 60 Hz / 45 - 65 Hz
Nominal / Maximum current	5 A / 100 A
Powerfactor range (EN/IEC 62053-21, EN/IEC 62053-23)	cosφ 0.5 ind to 0.8 cap
Permitted ambient temperature	from -25° to +65°C
Mounting	DIN rail 35 mm
IP range (EN60529)	IP51 / IP20 (Front / Connections)

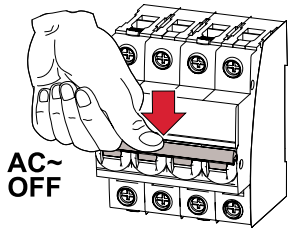
Communication	
Standard	RS485 - 3 conductors
Protocol	Modbus RTU
Min. Softwareversion	Datamanager 2.0: 3.16.1 / Fronius Symo Hybrid: 1.16.1 / Fronius GEN 24: 1.12.1

Screw terminal	
Measuring input	max. 25 mm ²
Output	min. 0,05 mm ²
Recommended torque	Measuring input: max. 2,8 Nm Output: max. 0,5 Nm

Detailed, country-specific warranty terms are available on: www.fronius.com/solar/warranty

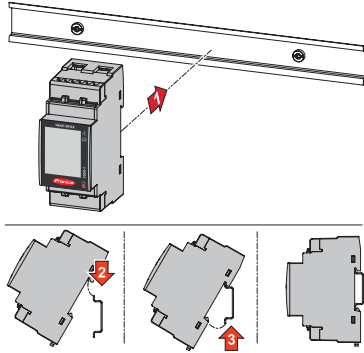
AC~

1



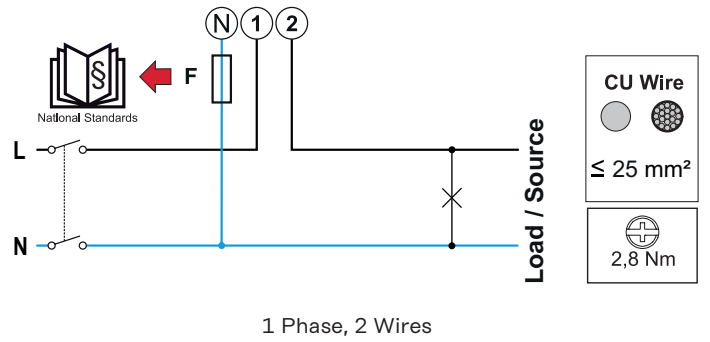
Mounting

2

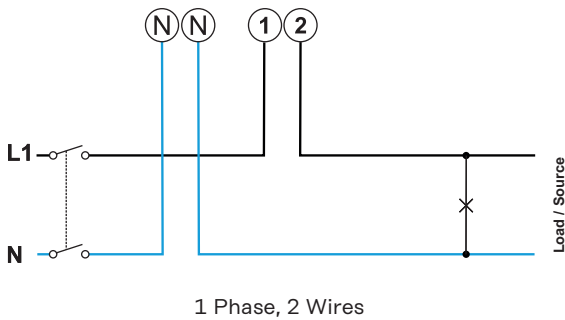


Power Wiring

3a

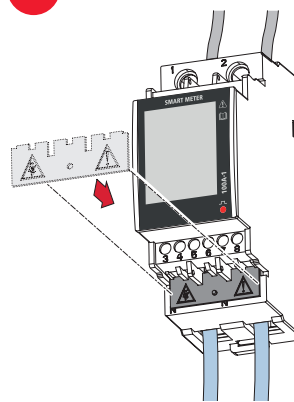


3b



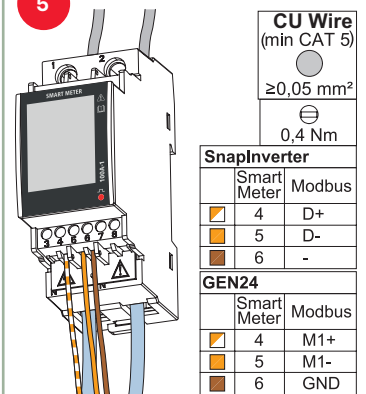
Protective Cover

4



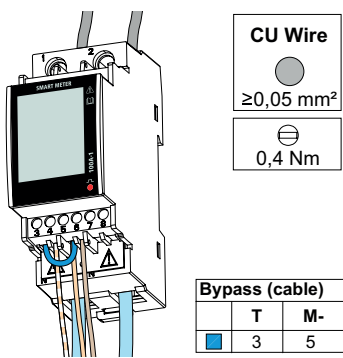
Data Wiring

5

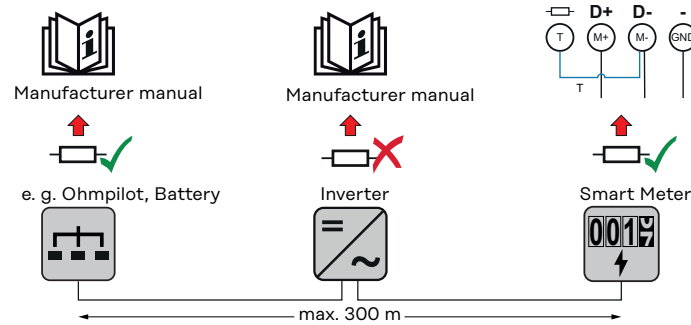


Terminating Resistor

6

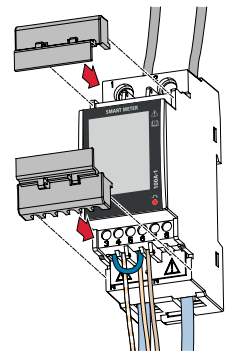


7

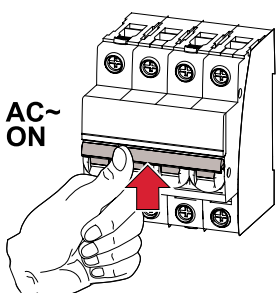


Close & Commissioning

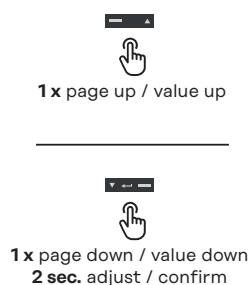
8



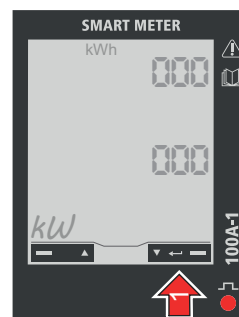
9



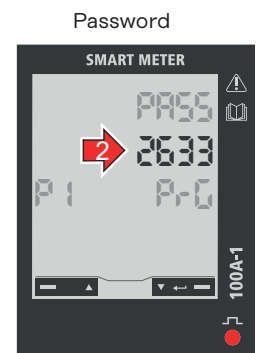
10



11



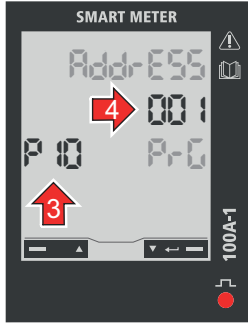
12



Factory default: 2633

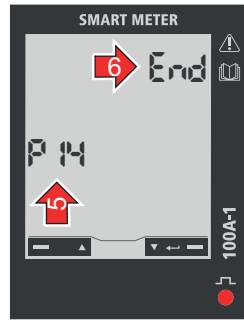
13

Modbus Address



Factory default: **001**

14



Exit

15



Fronius Solar.start



download / update

